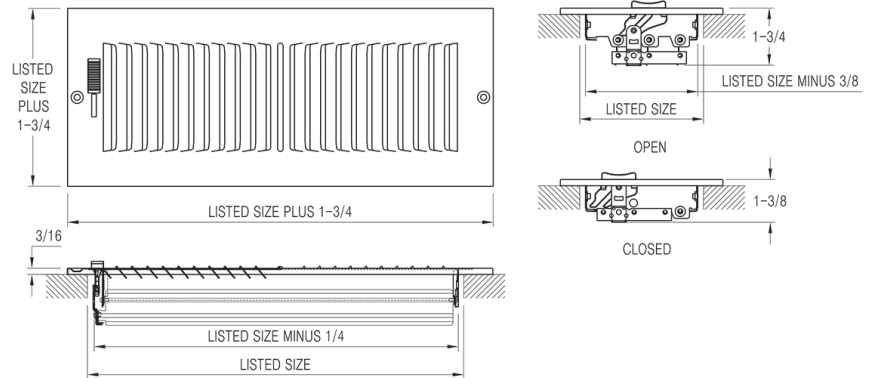


202 - Sidewall/Ceiling 2-Way

- Steel construction
- For sidewall or ceiling application
- Two-way air deflection
- 1/2" Spaced Fins
- One-piece stamped face construction
- White durable finish



Available Sizes (in inches)									
HEIGHT	WIDTH								
	6	8	10	12	14	16	18	20	24
4	●	●	●	●	●	●			
5			●	●					
6	●	●	●	●	●	●	●	●	●
8		●	●	●	●	●	●	●	●
10			●	●	●				
12				●					

ENGINEERING

202 - SIDEWALL/CEILING 2-WAY									
Face Velocity		300	400	500	600	700	800	900	1000
Pressure Loss		0.008	0.012	0.016	0.024	0.032	0.044	0.052	0.064
6 x 4 Ak .081	cfm	23	30	38	46	53	61	68	76
	Throw	3	4	5	6	7	8	9	10
6 x 6 Ak .113	cfm	32	42	53	63	74	84	95	105
	Throw	4	5	6	7	8	10	11	12
8 x 4 Ak .110	cfm	28	37	47	56	65	74	84	93
	Throw	3	5	6	7	8	9	10	11
8 x 6 Ak .153	cfm	44	59	74	89	103	118	133	148
	Throw	5	6	7	9	10	11	12	14
8 x 8 Ak .22	cfm	60	80	100	120	140	160	180	200
	Throw	5	6	8	9	10	12	13	15
10 x 4 Ak .125	cfm	36	48	60	72	84	96	108	120
	Throw	4	5	6	7	9	10	12	13
10 x 6 Ak .192	cfm	56	75	94	112	131	150	168	187
	Throw	6	7	9	10	11	13	14	15
10 x 8 Ak .27	cfm	72	96	120	144	168	192	216	240
	Throw	5	6	8	10	12	14	17	19
10 x 10 Ak .318	cfm	94	126	157	188	220	251	283	314
	Throw	6	8	11	12	14	15	18	19
12 x 4 Ak .152	cfm	44	58	73	87	102	116	131	145
	Throw	4	6	7	9	10	12	13	14
12 x 6 Ak .236	cfm	71	94	118	142	165	189	212	236
	Throw	6	8	9	11	13	14	16	17
12 x 8 Ak .327	cfm	97	130	162	194	227	259	292	324
	Throw	7	9	11	12	14	16	18	20
14 x 4 Ak .178	cfm	51	68	86	103	120	137	154	171
	Throw	5	6	8	9	10	12	13	14
14 x 6 Ak .304	cfm	89	118	148	177	207	236	266	295
	Throw	7	8	10	12	13	15	17	19

14 x 8 Ak .405	cfm	119	158	198	237	277	316	356	395
	Throw	7	10	11	13	15	17	19	21
14 x 10 Ak .480	cfm	135	180	225	270	315	360	405	450
	Throw	8	11	13	14	16	19	21	22
16 x 6 Ak .34	cfm	102	136	170	204	238	272	306	340
	Throw	7	9	11	13	15	16	18	20
20 x 6 Ak .430	cfm	126	168	210	252	294	336	378	420
	Throw	7	11	12	14	15	18	20	21
10 x 5 Ak .169	cfm	51	68	85	101	118	135	152	169
	Throw	5	6	7	9	10	11	12	14
12 x 5 Ak .190	cfm	57	76	95	114	133	152	171	190
	Throw	6	7	9	10	11	13	14	15
16 x 8 Ak .443	cfm	133	177	222	266	310	354	399	443
	Throw	7	10	11	13	16	17	20	21
18 x 6 Ak .379	cfm	114	152	190	227	265	303	341	379
	Throw	6	9	11	13	14	16	17	20
Terminal Velocity of 75 fpm									