



## TrueZONE® for Hydronic Control

Wiring Diagrams

Honeywell's TrueZONE® panels can control zone valves and circulator relays in hydronic heating applications. This document provides helpful wiring diagrams to assist you in a variety of installation scenarios.




---

**Hot Water Zone Valve or Circulator Relay Panel Control**

TrueZONE HZ322 with Hot Water Zone Valve or Circulator Relay Panel .....4

**Hot Water Zone Valves with A/C Dampers**

TrueZONE HZ311 with Hot Water Zone Valves and A/C Dampers .....4  
 TrueZONE HZ432 with Hot Water Zone Valves and A/C Dampers .....4

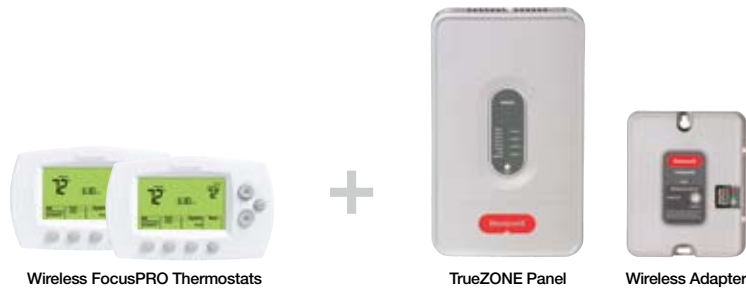
**Hot Water Zone Valve or Circulator Relay Panel with A/C Dampers**

TrueZONE HZ311 with Hot Water Zone Valve or Circulator Relay Panel and A/C Dampers .....5  
 TrueZONE HZ322 with Hot Water Zone Valve or Circulator Relay Panel and A/C Dampers .....5  
 TrueZONE HZ432 with Hot Water Zone Valve or Circulator Relay Panel and A/C Dampers .....5

**Hydro-air Applications**

TrueZONE HZ311 with Hydro-air Application .....6  
 TrueZONE HZ322 with Hydro-air Application .....6

When used with our **RedLINK-enabled TrueZONE®** panels, our Wireless Adapter and Wireless FocusPRO® Thermostat you can easily – and wirelessly – add hydronic zoning to a home or add more zones to an existing system. In addition, wireless hydronic zoning introduces the opportunity to increase profit with add-on accessories such as the Portable Comfort Control and Wireless Outdoor Sensor – for the ultimate in convenience and control.



**Wireless Zone Valve Control**

Wireless TrueZONE HZ322 with Hot Water Zone Valve control .....6  
 Wireless TrueZONE HZ432 with Hot Water Zone Valve control .....6

**Wireless Circulator Control**

Wireless TrueZONE HZ322 with Hot Water Circulator control .....7  
 Wireless TrueZONE HZ432 with Hot Water Circulator control .....7

**Wireless Relay Panel Control**

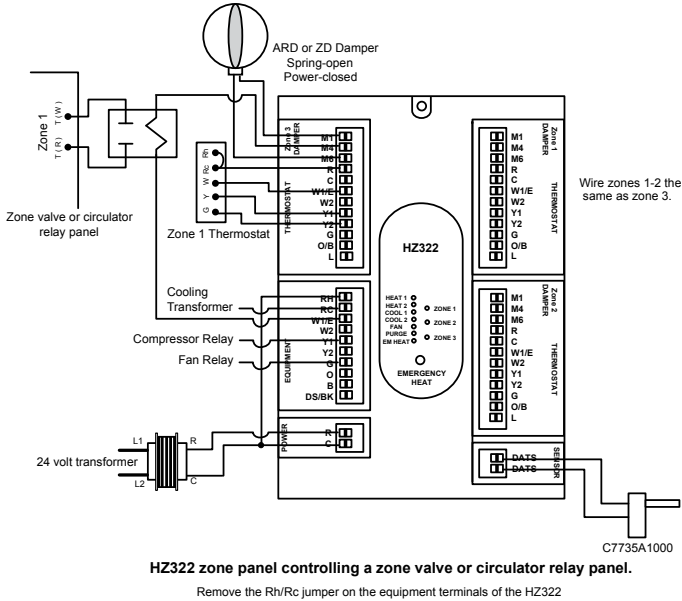
Wireless TrueZONE HZ432 with Hot Water Relay Panels .....7

**Optional Wireless Accessories**



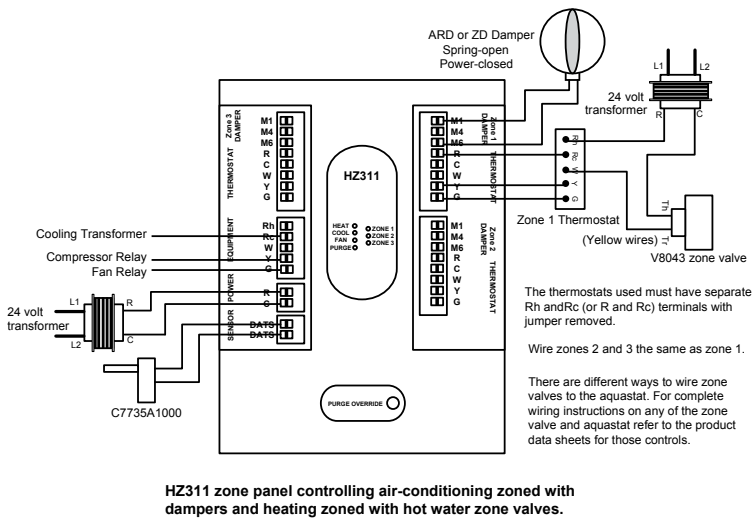
# Hot Water Zone Valve or Circulator Relay Panel Control

## TrueZONE HZ322 with Hot Water Zone Valve or Circulator Relay Panel

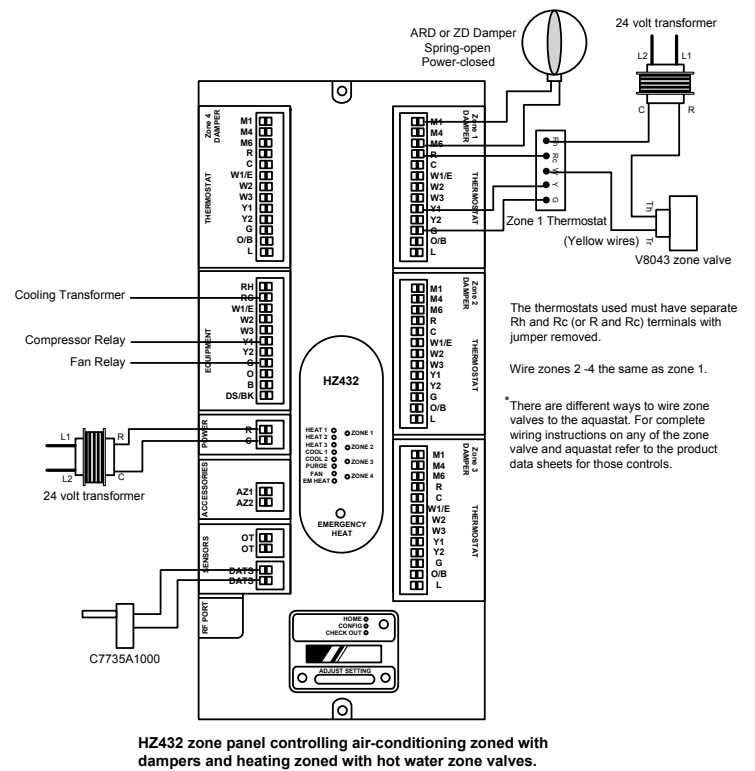


# Hot Water Zone Valves with A/C Dampers

## TrueZONE HZ311 with Hot Water Zone Valves and A/C Dampers

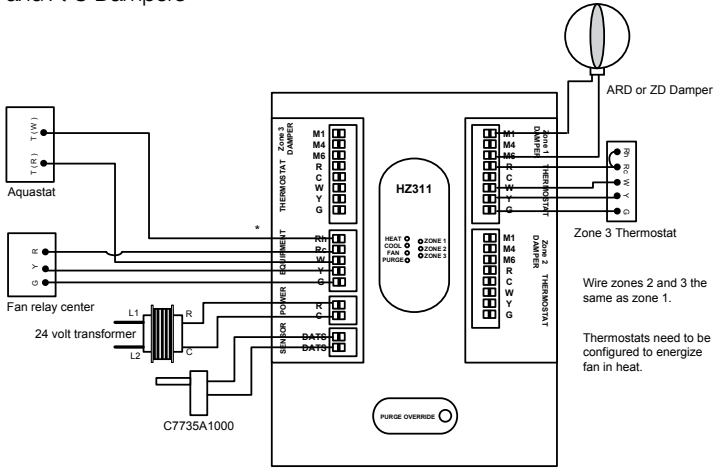


## TrueZONE HZ432 with Hot Water Zone Valves and A/C Dampers



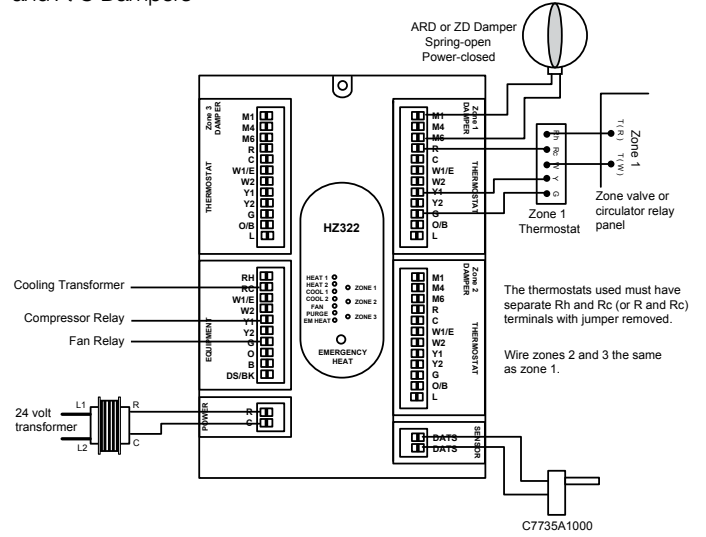
# Hot Water Zone Valve or Circulator Relay Panel with A/C Dampers

TrueZONE HZ311 with Hot Water Zone Valve or Circulator Relay Panel and A/C Dampers



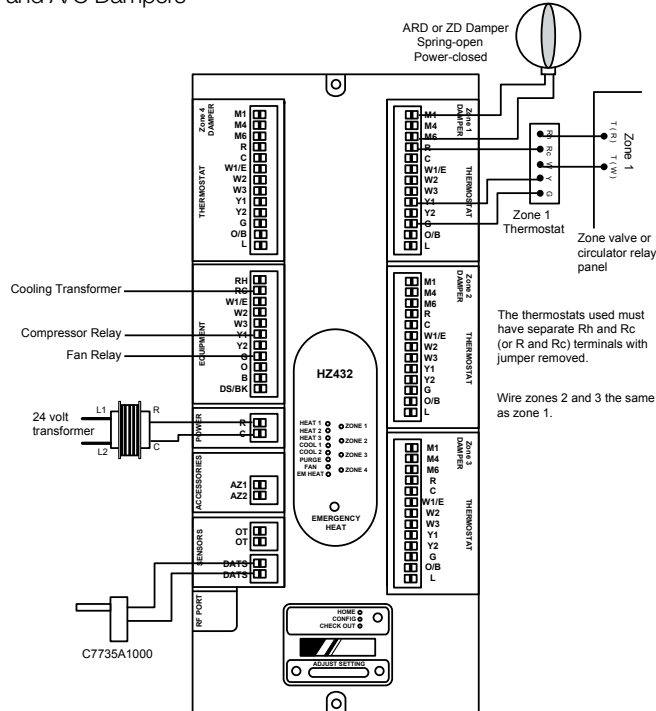
**HZ311 zone panel controlling a hydro-air application**  
 \* Remove the Rh/Rc jumper on the equipment terminals of the HZ311

TrueZONE HZ322 with Hot Water Zone Valve or Circulator Relay Panel and A/C Dampers



**HZ322 zone panel controlling air-conditioning zoned with dampers and heating zoned with a zone valve or circulator relay panel.**

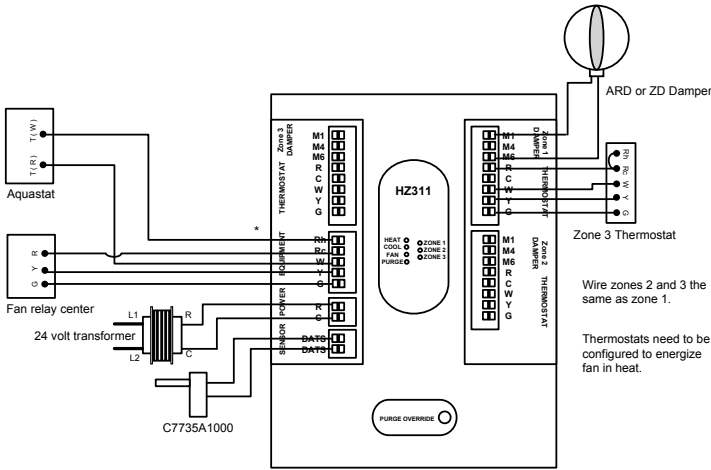
TrueZONE HZ432 with Hot Water Zone Valve or Circulator Relay Panel and A/C Dampers



**HZ432 zone panel controlling air-conditioning zoned with dampers and heating zoned with a zone valve or circulator relay panel.**

# Hydro-air Applications

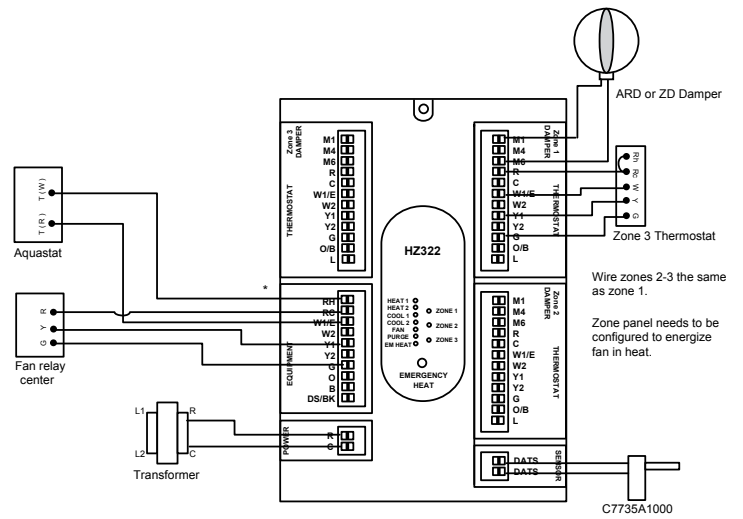
## TrueZONE HZ311 with Hydro-air Application



**HZ311 zone panel controlling a hydro-air application**

\* Remove the Rh/Rc jumper on the equipment terminals of the HZ311

## TrueZONE HZ322 with Hydro-air Application

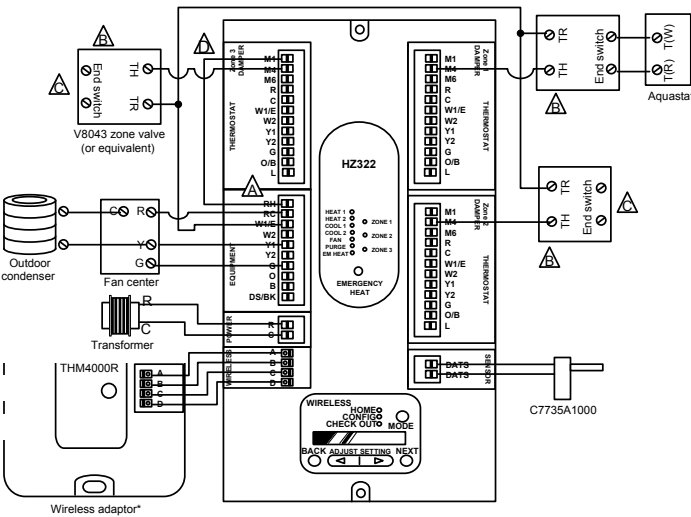


**HZ322 zone panel controlling a hydro-air application.**

\* Remove the Rh/Rc jumper on the equipment terminals of the HZ322

# Wireless Zone Valve Control

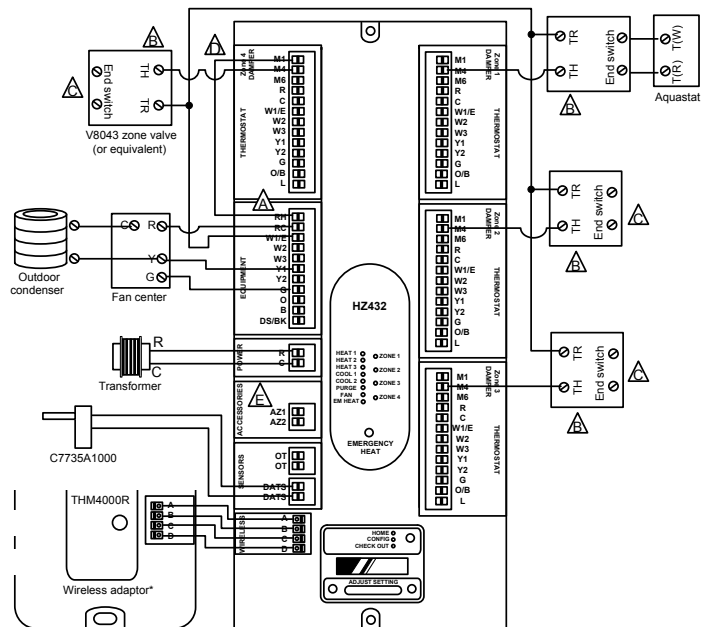
## Wireless TrueZONE HZ322 with Hot Water Zone Valve control



- ⚠ Remove the Rh/Rc jumper at the panel.
- ⚠ If the Honeywell valve has yellow and red wires instead of terminal connections, the red wires are the end switch, the yellow wires are the TH and TR.
- ⚠ Wire the end switch from each valve in parallel to the R and W or T and T at the aquastat or boiler.
- ⚠ If cooling is zoned, the dampers (not shown), are wired as normal to the TrueZONE panel.

See parts needed section on page 7.

## Wireless TrueZONE HZ432 with Hot Water Zone Valve control

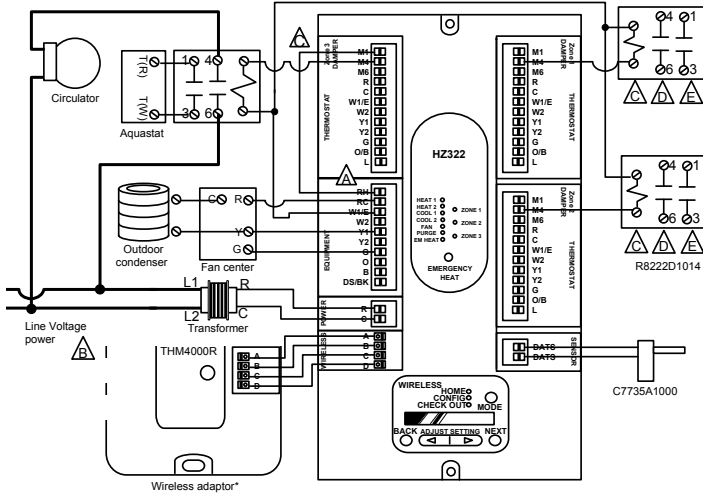


- ⚠ Remove the Rh/Rc jumper at the panel.
- ⚠ If the Honeywell valve has yellow and red wires instead of terminal connections, the red wires are the end switch, the yellow wires are the TH and TR.
- ⚠ Wire the end switch from each valve in parallel to the R and W or T and T at the aquastat or boiler.
- ⚠ If cooling is zoned, the dampers (not shown), are wired as normal to the TrueZONE panel.
- ⚠ When a THM4000R is used you cannot expand beyond 4 zones.

See parts needed section on page 7.

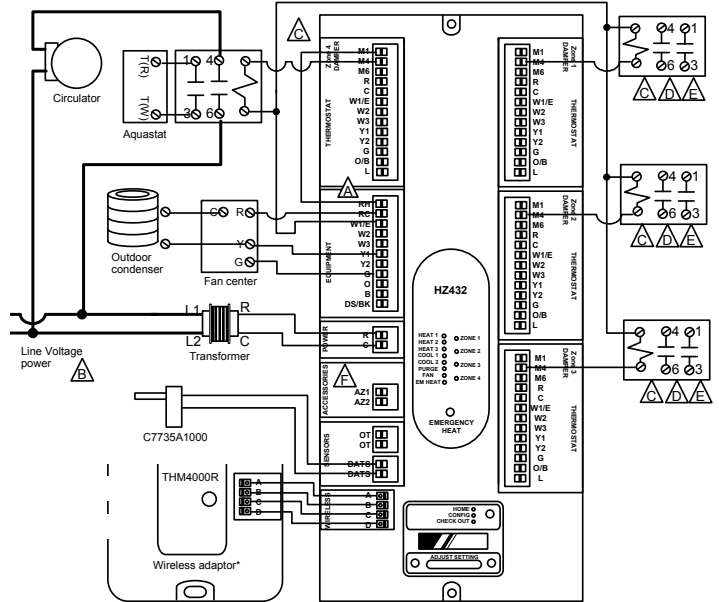
# Wireless Circulator Control

Wireless TrueZONE HZ322 with Hot Water Circulator control



- ⚠ Remove the Rh/Rc jumper at the panel.
  - ⚠ It is up to the installing contractor to determine what voltage is required to power the transformer primary and circulators.
  - ⚠ If cooling is zoned, the dampers (not shown), are wired as normal to the TrueZONE panel.
  - ⚠ Wire the 1 and 3 from each relay in parallel to the T and T (or R and W) terminals at the boiler or aquastat.
  - ⚠ Each circulator circuit would be wired to the corresponding zone's relay. This circuit is shown on zone 3 of this diagram.
- See parts needed section on page 7.

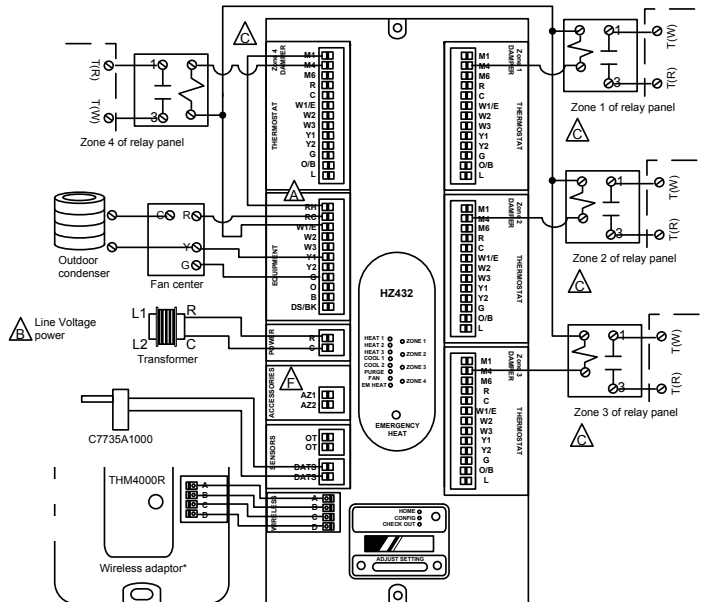
Wireless TrueZONE HZ432 with Hot Water Circulator control



- ⚠ Remove the Rh/Rc jumper at the panel.
  - ⚠ It is up to the installing contractor to determine what voltage is required to power the transformer primary and circulators.
  - ⚠ If cooling is zoned, the dampers (not shown), are wired as normal to the TrueZONE panel.
  - ⚠ Wire the 1 and 3 from each relay in parallel to the T and T (or R and W) terminals at the boiler or aquastat.
  - ⚠ Each circulator circuit would be wired to the corresponding zone's relay. This circuit is shown on zone 4 of this diagram.
  - ⚠ When a THM4000R is used you cannot expand beyond 4 zones.
- See parts needed section on page 7.

# Wireless Relay Panel Control

Wireless TrueZONE HZ432 with Hot Water Relay Panels



- ⚠ Remove the Rh/Rc jumper at the panel.
  - ⚠ It is up to the installing contractor to determine what voltage is required to power the transformer primary and circulators.
  - ⚠ If cooling is zoned, the dampers (not shown), are wired as normal to the TrueZONE panel.
  - ⚠ When a THM4000R is used you cannot expand beyond 4 zones.
- See parts needed section on page 7.

## Parts needed for wireless installation:

<p>Verify the TrueZONE box has a RedLINK sticker on it.</p>	
<p><b>Wireless Zoning Adaptor Kit:</b> You would need 1 of these per zone panel</p>	
<p>Programmable Wireless Zoning Adaptor Kit (YTH6320R1023)</p>	<p>Non-Programmable Wireless Zoning Adaptor Kit (YTH5320R1025)</p>
<p><b>*Wireless Adaptor (THM4000R):</b> Connects to your choice of wireless thermostats</p>	
<p>Programmable Wireless FocusPRO (TH6320R1004)</p>	<p>Non-Programmable Wireless FocusPRO (TH5320R1002)</p>
<p><b>Optional Wireless Accessories:</b></p>	
<p>Portable Comfort Control (REM5000R1001)</p>	<p>Wireless Outdoor Sensor (C7089R1013)</p>

Illustrated in this paper are the most common **wiring diagrams** for hydronic application of the TrueZONE® control panel. It is the contractor's choice on what options make most sense for their business and customer. With the introduction of wireless hydronic zoning, this document will help create new installation solutions, as well as opportunity to earn more profit with add-on wireless accessories.

For questions, please contact the Honeywell Zoning Hotline toll-free at 1-800-828-8367

**Automation and Control Solutions**

**In the US:**

Honeywell  
1985 Douglas Drive North  
Golden Valley, MN 55422-3992

**In Canada:**

Honeywell Limited  
35 Dynamic Drive  
Toronto, Ontario M1V 4Z9  
[customer.honeywell.com](http://customer.honeywell.com)

**Honeywell**