
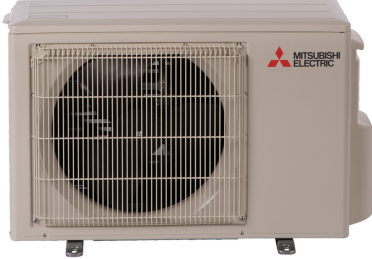



Job Name:

System Reference:

Date:

Indoor Unit: MSZ-HM18NA	Outdoor Unit: MUZ-HM18NA	Wireless Remote Controller
		

GENERAL FEATURES

- Four fan speed options: Low, Medium, High, Super-high
- Anti-mold filter
- INVERTER-driven compressors and electronic LEVs provide higher efficiency with controlled power usage
- The outdoor unit powers the indoor unit, and should a power outage occur, the system is automatically restarted when power returns
- Cooling operation range: 14° F to 115° F
- Heating operation range: -4° F to 75° F
- Multiple control options available:
 - Hand-held Remote Controller (provided with unit)
 - kumo cloud® smart device app for remote access
 - Third-party interface options
 - Wired or wireless controllers
- 12-hour timer
- ECONO COOL mode
- AUTO restart
- Blue Fin anti-corrosion treatment applied to the outdoor unit heat exchanger for increased coil protection and longer life

SPECIFICATIONS: MSZ-HM18NA & MUZ-HM18NA

Cooling ¹	Maximum Capacity	Btu/h	18,000
	Rated Capacity	Btu/h	17,200
	Minimum Capacity	Btu/h	5,800
	Maximum Power Input	W	2,028
	Rated Power Input	W	1,640
	Moisture Removal	Pints/h	2.1
	Sensible Heat Factor		0.86
	Power Factor	%	98 / 98
Heating at 47°F ²	Maximum Capacity	Btu/h	20,900
	Rated Capacity	Btu/h	18,000
	Minimum Capacity	Btu/h	5,400
	Maximum Power Input	W	2,208
	Rated Power Input	W	1,590
	Power Factor	%	98 / 97
Heating at 17°F ³	Maximum Capacity	Btu/h	15,000
	Rated Capacity	Btu/h	11,500
	Maximum Power Input	W	1,908
	Rated Power Input	W	1,300
Heating at 5°F ⁴	Maximum Capacity	Btu/h	12,780
	Maximum Power Input	W	1770
Efficiency	SEER		18.0
	EER ¹		10.5
	HSPF (IV)		10.0
	COP at 47°F ²		3.32
	COP at 17°F in Maximum Capacity ³		2.30
	COP at 5°F in Maximum Capacity ⁴		2.12
ENERGY STAR® Certified (ENERGY STAR products are third-party certified by an EPA-recognized Certification Body.)			NO
Electrical	Voltage, Phase, Frequency		208/230V, 1 phase, 60Hz
	Guaranteed Voltage Range	V AC	187 - 253
	Voltage: Indoor - Outdoor, S1-S2	V AC	208 / 230
	Voltage: Indoor - Outdoor, S2-S3	V DC	24
	Voltage: Indoor - Remote controller	V DC	12
	Recommended Fuse/Breaker Size	A	15
	Recommended Wire Size (Indoor - Outdoor)	AWG	14
Indoor Unit	MCA	A	1
	MOCP	A	15
	Blower Motor Full Load Amperage	A	0.67
	Blower Motor Output	W	30
	Airflow Rate at Cooling, Dry	CFM	625-530-431-328
	Airflow Rate at Cooling, Wet	CFM	562-477-388-295

SPECIFICATIONS: MSZ-HM18NA & MUZ-HM18NA

	Airflow Rate at Heating, Dry	CFM	625-530-431-307	
	Sound Pressure Level (Cooling)	dB(A)	47-42-37-30	
	Sound Pressure Level (Heating)	dB(A)	47-42-37-30	
	Drain Pipe Size	In. (mm)	5/8 (15.88)	
	Heat Exchanger Type		Plate fin coil	
	External Finish Color		Munsell 1.0Y 9.2/0.2	
	Unit Dimensions	W: In. (mm)		36-5/16 (923)
		D: In. (mm)		12 (250)
		H: In. (mm)		9-13/16 (305)
	Package Dimensions	W: In. (mm)		39 (990)
		D: In. (mm)		13 (330)
		H: In. (mm)		15 (380)
	Unit Weight	Lbs. (kg)		28 (13)
	Package Weight	Lbs. (kg)		33 (15)
Indoor Unit Operating Temperature Range	Cooling Intake Air Temp (Maximum / Minimum)*	°F	90 DB, 73 WB / 67 DB, 57 WB	
	Heating Intake Air Temp (Maximum / Minimum)	°F	80 DB / 70 DB	
Outdoor Unit	MCA	A	10	
	MOCP	A	15	
	Fan Motor Full Load Amperage	A	0.5	
	Fan Motor Output	W	55	
	Airflow Rate	CFM	1,243 / 1,229	
	Refrigerant Control		LEV	
	Defrost Method		Reverse cycle	
	Heat Exchanger Type		Plate fin coil	
	Sound Pressure Level, Cooling ¹	dB(A)	50	
	Sound Pressure Level, Heating ²	dB(A)	51	
	Compressor Type		DC INVERTER-driven Twin Rotary	
	Compressor Model		SNB130FQBMT	
	Compressor Rated Load Amps	A	7.4	
	Compressor Locked Rotor Amps	A	9.3	
	Compressor Oil Type // Charge	oz.	FV50S // 11.8	
	External Finish Color		Munsell 3Y 7.8/1/1	
	Base Pan Heater		Optional	
	Unit Dimensions	W: In. (mm)		31-1/4 (800)
		D: In. (mm)		11-1/6 (285)
		H: In. (mm)		21-5/10 (550)
	Package Dimensions	W: In. (mm)		37 (940)
		D: In. (mm)		14-15/16 (380)
H: In. (mm)			24-13/16 (630)	
Unit Weight	Lbs. (kg)		81 (37)	
Package Weight	Lbs. (kg)		88 (40)	

SPECIFICATIONS: MSZ-HM18NA & MUZ-HM18NA

Outdoor Unit Operating Temperature Range	Cooling Air Temp (Maximum / Minimum)*	°F	115 / 14
	Cooling Thermal Lock-out / Re-start Temperatures**	°F	-1 / 3
	Heating Air Temp (Maximum / Minimum)	°F	75 / -4
	Heating Thermal Lock-out / Re-start Temperatures**	°F	-9 / -4
Refrigerant	Type		R410A
	Charge	Lbs, oz	2, 10
Piping	Gas Pipe Size O.D. (Flared)	In. (mm)	1/2 (12.7)
	Liquid Pipe Size O.D. (Flared)	In. (mm)	1/4 (6.35)
	Maximum Piping Length	Ft. (m)	65 (20)
	Maximum Height Difference	Ft. (m)	40 (12)
	Maximum Number of Bends		10

AHRI Rated Conditions (Rated data is determined at a fixed compressor speed)	¹ Cooling (Indoor // Outdoor)	°F	80 DB, 67 WB // 95 DB, 75 WB
	² Heating at 47°F (Indoor // Outdoor)	°F	70 DB, 60 WB // 47 DB, 43 WB
	³ Heating at 17°F (Indoor // Outdoor)	°F	70 DB, 60 WB // 17 DB, 15 WB
Conditions	⁴ Heating at 5°F (Indoor // Outdoor)	°F	70 DB, 60 WB // -4 DB, -5 WB

Notes

*Applications should be restricted to comfort cooling only; equipment cooling applications are not recommended for low ambient temperature conditions.

**System cuts out in heating mode to avoid thermistor error and automatically restarts at these temperatures.

ACCESSORIES: MSZ-HM18NA

Anti-Allergy Enzyme Filter	□ MAC-408FT-E
Backlit, Wall-mounted, Wireless Controller	□ MHK1
Portable Central Controller	□ MCCH1
Wired MA Controller	□ PAR-33MAA ¹
Simple MA Controller	□ PAC-YT53CRAU ¹
Touch MA Controller	□ PAR-CT01MAU-SB ¹
Wired Remote Sensor	□ PAC-SE41TS-E
Lockdown Bracket for Wireless, Hand-held, Remote Controller	□ RCMKP1CB
Wireless Temperature and Humidity Sensor	□ PAC-USWHS003-TH-1
Outside Air Sensor for MHK1	□ MOS1
System Control Interface	□ MAC-333IF-E ²
Wireless Interface	□ PAC-USWHS002-WF-1
Thermostat Interface	□ PAC-US444CN-1
kumo station [®]	□ PAC-WHS01HC-E
USNAP Interface	□ PAC-WHS01UP-E
IT Extender	□ PAC-WHS01IE-E
BACnet [®] and Modbus Interface	□ PAC-UKPRC001-CN-1
External Fan / Heater Control Relay Adapter	□ CN24RELAY-KIT-CM3
Blue Diamond Sensor Extension Cable—15 Ft.	□ C13-103
Blue Diamond Alarm Extension Cable—6.5 Ft.	□ C13-192
Blue Diamond MultiTank—collection tank for use with multiple pumps	□ C21-014
Blue Diamond Rubber Foot Pads	□ F10-010
Mini Condensate Pump—230V application	□ SI30-230
MegaBlue Advanced Blue Diamond Condensate Pump w/ Reservoir & Sensor	□ X87-835 - 110 to 250V
MaxiBlue Advanced Blue Diamond Mini Condensate Pump w/ Reservoir & Sensor (110V) up to 48,000 Btu/h [recommended]	□ X87-711 - 110V
MaxiBlue Advanced Blue Diamond Mini Condensate Pump w/ Reservoir & Sensor (208/230V) up to 48,000 Btu/h [recommended]	□ X87-721 - 208/230V
MicroBlue Blue Diamond Mini Condensate Pump (110/208/230V) up to 18,000 Btu/h	□ X85-003
Fascia Kit for MicroBlue Pump – mounts the MicroBlue and sensor directly beneath the indoor unit	□ T18-016
Drain Pan Level Sensor (Control for indoor unit shut off to prevent drain pan overflow)	□ DPLS2
3 Pole Disconnect Switch (30A/600VUL) [fits 2"X4" utility] - Black	□ TAZ-MS303
3 Pole Disconnect Switch (30A/600VUL) [fits 2"X4" utility] - White	□ TAZ-MS303W
1/4" x 3/8" x 15' / 1/2" Lineset (Twin-Tube Insulation)	□ MLS143812T-15
1/4" x 3/8" x 30' / 1/2" Lineset (Twin-Tube Insulation)	□ MLS143812T-30
1/4" x 3/8" x 50' / 1/2" Lineset (Twin-Tube Insulation)	□ MLS143812T-50
1/4" x 3/8" x 65' / 1/2" Lineset (Twin-Tube Insulation)	□ MLS143812T-65

¹ Requires MAC-333IF-E

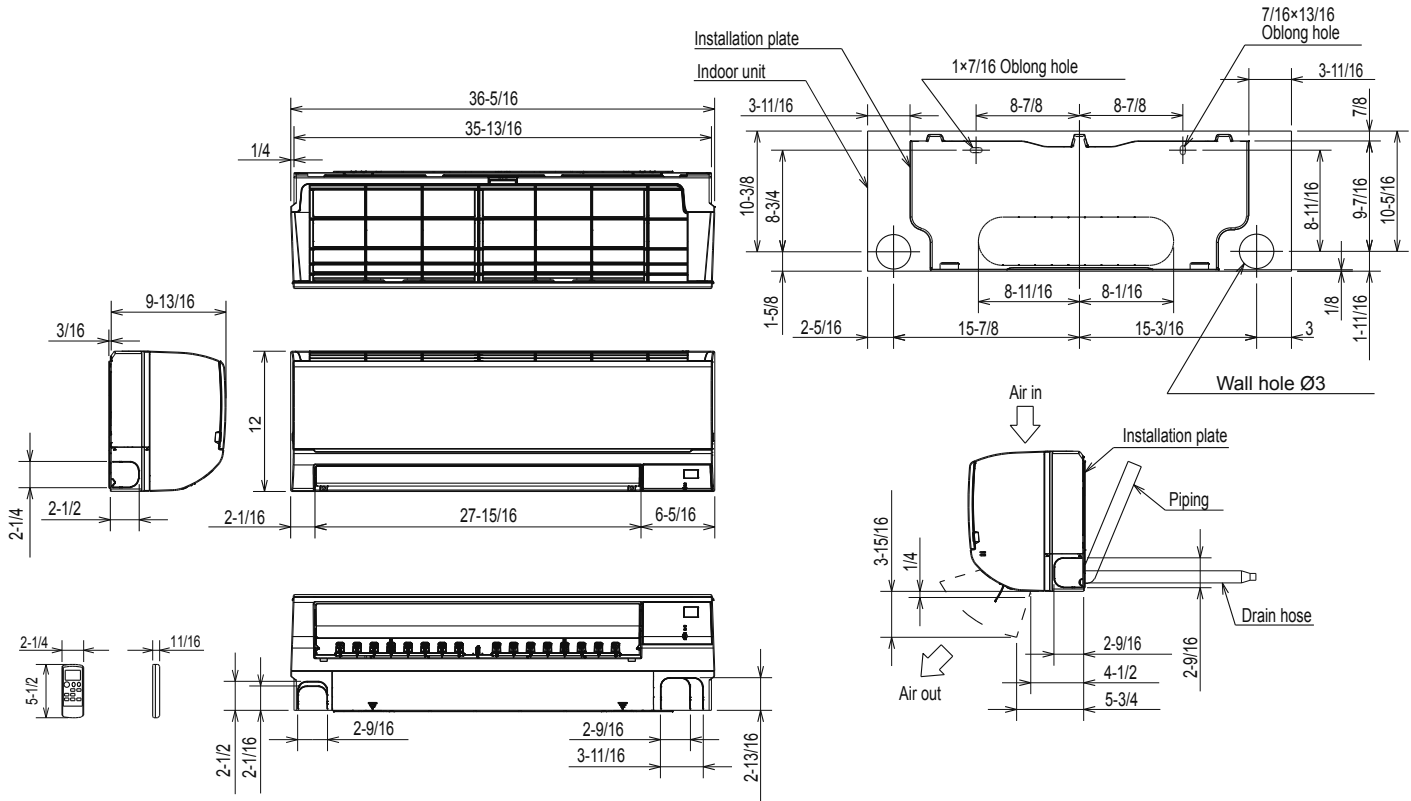
² Allows M-Series indoor units to connect to an MA controller

ACCESSORIES: MUZ-HM18NA

Air Outlet Guide	□ MAC-881SG
Drain Socket	□ MAC-860DS
Defrost Heater	□ MAC-640BH-U
Hail Guard	□ HG-B4
Outdoor Unit 3-1/4 inch Mounting Base (Pair) - Plastic	□ DSD-400P
Condensing Unit Mounting Pad 16" x 36" x 3"	□ ULTRILITE1
Outdoor Unit Stand—12" High	□ QSMS1201M
Outdoor Unit Stand—18" High	□ QSMS1801M
Outdoor Unit Stand—24" High	□ QSMS2401M
Heavy Duty Wall Mounting Bracket for Outdoor Units—Coated Steel	□ QSWB2000M-1
Heavy Duty Wall Mounting Bracket for Outdoor Units—316 Series Stainless Steel	□ QSWBSS

DIMENSIONS: MSZ-HM18NA

Unit: inch



MSY-HM18NA

Piping	Insulation	Ø2 O.D
	Liquid line	Ø5/16 15-3/8 (Flared connection Ø1/4)
	Gas line	Ø15/32 13-3/8 (Flared connection Ø1/2)
Drain hose	Insulation Ø1-1/8 Connected part Ø5/8 O.D	

MSY-HM24NA

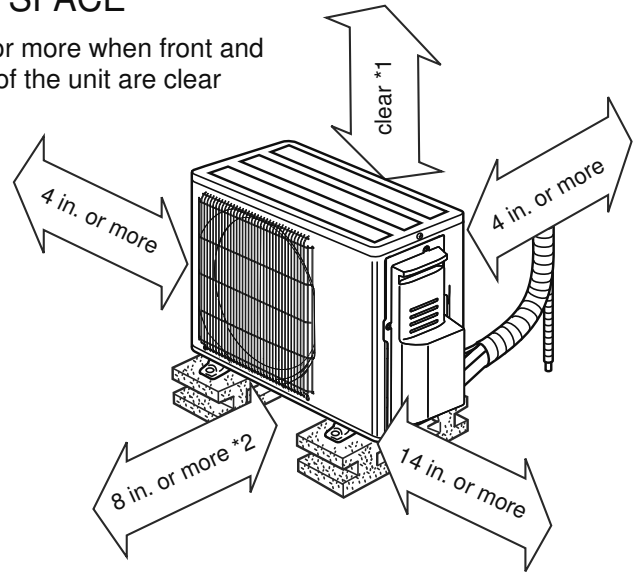
Piping	Insulation	Ø2 O.D
	Liquid line	Ø5/16 15-3/8 (Flared connection Ø3/8)
	Gas line	Ø15/32 13-3/8 (Flared connection Ø5/8)
Drain hose	Insulation Ø1-1/8 Connected part Ø5/8 O.D	

DIMENSIONS: MUZ-HM18NA

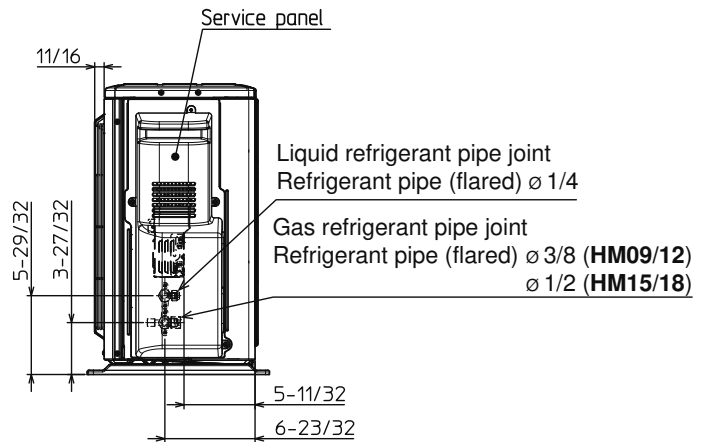
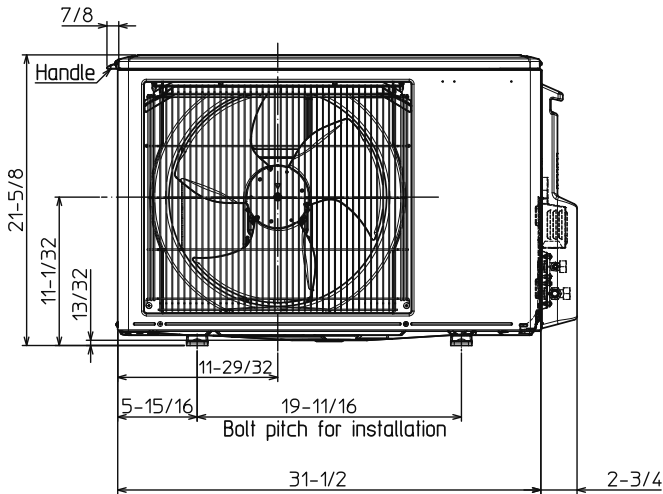
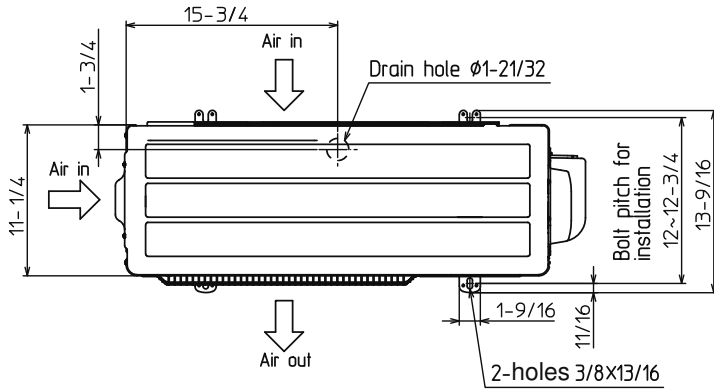
Unit: inch

REQUIRED SPACE

*1 4 in. or more when front and sides of the unit are clear



*2 When any 2 sides of left, right and rear of the unit are clear



**MITSUBISHI
ELECTRIC**

COOLING & HEATING

1340 Satellite Boulevard, Suwanee, GA 30024
Toll Free: 800-433-4822 www.mehvac.com

FORM# MSZ-HM18NA / MUZ-HM18NA - 201808Ver3



Specifications are subject to change without notice.

© 2018 Mitsubishi Electric Trane HVAC US LLC. All rights reserved.